

DATA SHEET

Sagent® Data Flow™ Solution

THE BUSINESS INTELLIGENCE AND ETL SOLUTION



Summary

Built specifically for the data analyst—it is one single solution that combines powerful data integration and Business Intelligence capabilities.

Benefits

For many data analysts, there are two daunting parts to achieving sound reports. One is accessing the data. The other is manipulating the data to create meaningful reports. The Sagent Data Flow solution can quickly, easily and affordably bring both capabilities to you.

OVERVIEW

Flexible and Powerful Environment

The Sagent Data Flow solution from Pitney Bowes Business Insight is a powerful and flexible integration engine that brings together data from disparate sources into a single view where a comprehensive set of data transformation tools can merge and cleanse the data to enhance its business value. Once transformed from data to information, the Sagent Data Flow solution provides a variety of tools for analyzing the information, creating meaningful reports and better understanding critical data about your business. This solution empowers the business user to make smart decisions based on real data.

Graphical Design Tools

The Sagent Data Flow solution is designed to support both business and technical users. Its new and improved interface reduces the learning curve as it allows end users to master the solution more quickly than other BI tools. By incorporating a powerful visual development environment that helps speed and simplifies the creation of sophisticated data transformations, the Sagent Data Flow solution enables you to quickly and easily see your data at any stage of the development process. With this visual approach to the design and construction of plans, Sagent Data Flow solution users can create a data integration plan and report more quickly.

Supports Many Data Formats for Greater Efficiency

The Sagent Data Flow solution handles one of the widest varieties of data formats, from legacy

applications to Web-based technologies. Available modules include Mainframe, AS/400 and R/3(SAP).

And the Sagent Data Flow solution natively handles all major RDBM systems, such as Oracle®, IBM® DB2 and MS SQL Server, as well as most major text-based data formats, including XML. This ability to read data in its native format helps eliminate the need to write custom extract programs. By eliminating this time-consuming and expensive task, more projects come in on time and under budget.

Not only does the Sagent Data Flow solution allow users to rapidly access, connect, integrate and analyze data from a wide array of applications, databases, and data files, but any combination of these data sources can be incorporated into a single process quicker and easier. Other systems require you to perform join functions within the database, but the Sagent Data Flow solution enables users to join two or more sources in memory, making it easier to analyze or perform operations on data from multiple sources.

64-Bit for Faster Processing

The Sagent Data Flow solution now offers 64-bit processing power. 64-bit processors allow you to address more memory, increasing your performance and offering greater scalability. Further, with the 64-bit processor, the Sagent Data Flow solution can support a higher number of concurrent users and instances as well as faster processing and larger data loads.

Sagent® Data Flow™ Solution

Easier migration between development and production environments

Why deal with hard-coded connection parameters? You don't have to with the Sagent Data Flow solution. You just point your plan to the desired environment, eliminating the need to create multiple plans. If you are working in a large scale application, you can also work in physically partitioned arenas.

Reusable Sub-Component Support

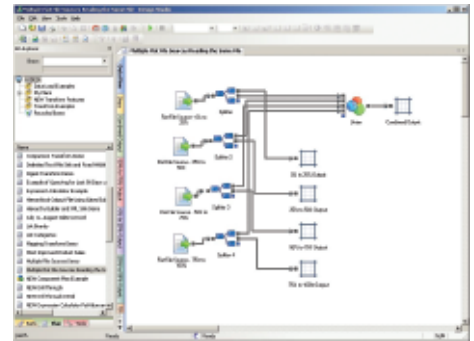
This feature increases your productivity as it is now possible to reuse already developed modules as you would a subroutine. It can be called but maintained and improved centrally. Why reinvent the wheel? Common functionality used in different places can be developed, maintained and managed centrally which reduce redundancies that waste time and allow for error. This is a very friendly feature for developers who can now offer functionality to the business analyst for better reporting.

Unicode Support

Global enterprises that need to glean data from around the world will find Unicode support of the Sagent Data Flow solution a huge benefit. Unicode which enables all international character sets means that no matter where the work is done, it can be collected and stored from around the globe. Non-Unicode platforms also supported.

Improved Look-Up Performance and Functionality

Perhaps the most widely utilized Sagent Data Flow solution transform is the "key look-up". And this too has been enhanced for greater productivity and ease of use. Now you can return multiple columns in one transform, simplifying your plan. New comparison operators have been added which greatly reduces the number of manual modifications. And the memory and



Merge multiple data sets.

caching of the key look-up has been reconfigured for stronger performance. Why deal with hand-coded and scripted solutions? There is no need to any longer.

New Transforms for Greater Efficiency

The latest release of the Sagent Data Flow solution packages three new transforms that were designed specifically at the request of our user community. They are: Mark Duplicate Rows; Filtered Splitter; and Multi-Condition Filter. These transforms enhance productivity and speed up the development process.

Automatic Documentation of Flow

This new release eliminates the burden of documentation for development while enhancing the quality of the development process altogether. You see, the documentation is done automatically and generated into an HTML file.

Track Plan Changes

So, how did we get to this point? Every data analyst knows that meticulous recording of plan changes are required that not only identify who changed what and when, but how and what was changed? This has been a laborious manual effort. No more. The Sagent Data Flow solution now documents this automatically. Now you can focus on moving the plan forward, increasing

UNITED STATES

One Global View
Troy, NY 12180-8399
main: 518.285.6000
1.800.327.8627
fax: 518.285.6070
pbbsales@pb.com
www.pbbusinessinsight.com

CANADA

26 Wellington Street East
Suite 500
Toronto, Ontario
M5E 1S2
main: 416.594.5200
fax: 416.594.5201
pbbsales.canada@pb.com
www.mapinfo.ca

SPECIFICATIONS

To view a list of supported databases and connectivity software, please visit us at: www.g1.com/docs/DATA_FLOW_SUPPORTED_DATABASES.PDF